



CODECO CORPORATION OF VERMONT

Series: PC

Ceramics for Printed Circuit Boards

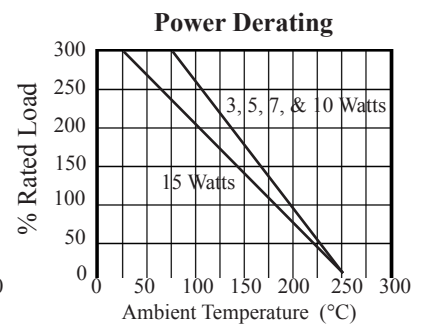
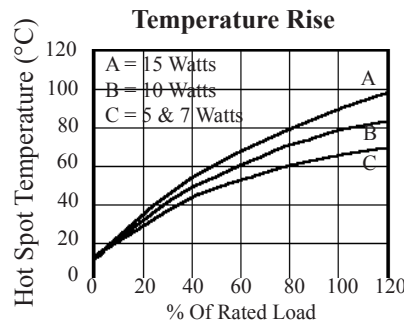
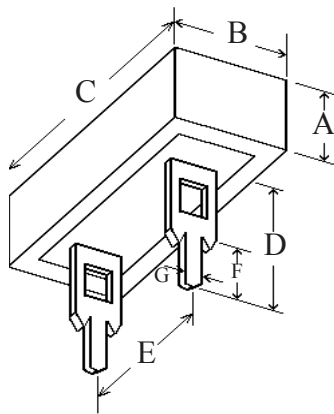
VPR's PC series are our type CB resistor which has been specially designed for mounting on printed circuit boards.

The four sub-divisions in this series are: PC: our standard P.C. mount resistor

PCLV: the PC at extremely low values

PCM: this resistor incorporates a metallic fused element

PCV: A PC type in a vertical mounting bracket



| Type | Power (Watts) | A (±.030) | B (±.030) | C (±.050) | D (±.030) | E (±.020) | F (±.010) | G (±.005) | Resistance Range |
|-------|---------------|-----------|-----------|-----------|-----------|-----------|-----------|-----------|------------------|
| PC-3 | 3 | .375 | .375 | .900 | .590 | .500 | .180 | .059 | .1Ω to 350Ω |
| PC-5 | 5 | .375 | .375 | 1.070 | .590 | .590 | .180 | .059 | .1Ω to 500Ω |
| PC-7 | 7 | .360 | .375 | 1.400 | .590 | .886 | .180 | .059 | .15Ω to 750Ω |
| PC-10 | 10 | .360 | .375 | 1.900 | .590 | 1.380 | .180 | .059 | .2Ω to 1K |
| PC-15 | 15 | .500 | .500 | 1.900 | .590 | 1.280 | .180 | .059 | .2Ω to 1K |
| PC-20 | 20 | .500 | .500 | 2.500 | .590 | 1.850 | .180 | .059 | .3Ω to 1.25K |

5 watts, 7 watts, 10 watts and 15 watts
 Standard tolerances of 5% and 10%
 Resistance ranges from .01Ω to 10K
 Labor saving mounting with build-in standoffs
 Inexpensive
 Flameproof

Other wattages are available. Please consult the factory on these requirements
 All PC series parts are RoHS compliant.



CODECO CORPORATION OF VERMONT

Series: PCV Printed Circuit Board Type in a Vertical Mount

The PCV type of resistor allows the designing engineer to dissipate large amounts of power in a very small amount of "real estate". By mounting these parts vertically you gain in the air flow around the part and the bracket acts as a heat sink. Each of these combine in giving greater power carrying capacity with less ambient temperature rise in the circuit enclosure. Mounted vertically, the part uses less than 25% of the board space it would normally require if it were horizontal. The tab design allows for quick insertion, protection from vibration and shock and it provides for an automatic standoff.

Features:

Metal bracket has 3 legs for rigid support, providing excellent protection from shock and vibration.

Requires 75% less space.

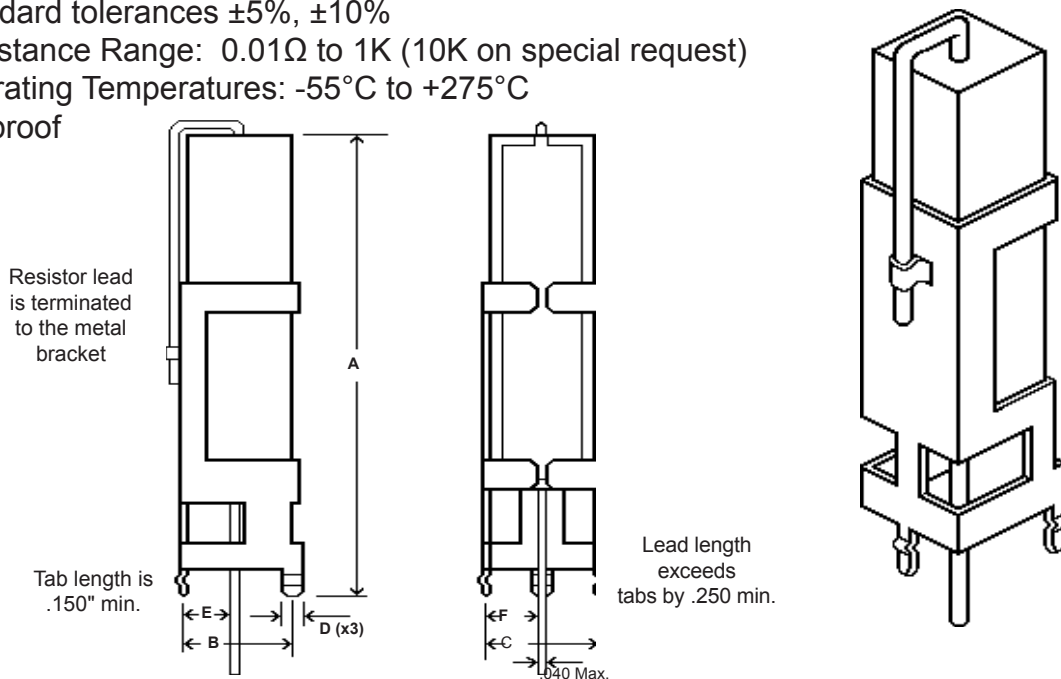
Built-in heat sink.

Standard tolerances $\pm 5\%$, $\pm 10\%$

Resistance Range: 0.01 Ω to 1K (10K on special request)

Operating Temperatures: -55°C to +275°C

Fireproof



| Type | Power (Watts) | Maximum Voltage | A ($\pm .080$) | B ($\pm .040$) | C ($\pm .040$) | D ($\pm .020$) | E ($\pm .060$) | F ($\pm .060$) |
|--------|---------------|-----------------|------------------|------------------|------------------|------------------|------------------|------------------|
| PCV-7 | 7 | 350V | 2.000 | .394 | .413 | .060 | .197 | .207 |
| PCV-10 | 10 | 500V | 2.500 | .394 | .413 | .060 | .197 | .207 |